

Set-up Guide

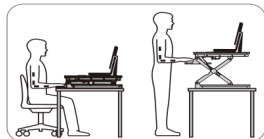
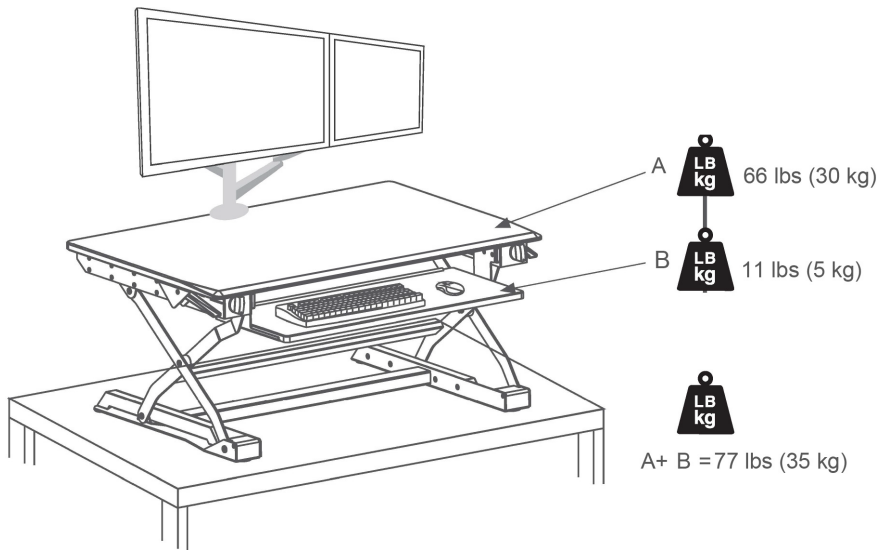


⚠ CAUTION

Please read all instructions carefully before using this product. Failure to comply with safety and assembly instructions may result in bodily injury or damage to property. Retain this manual for future reference. The specifications of this product may vary slightly from the illustrations and are subject to change without notice.

Technical Data

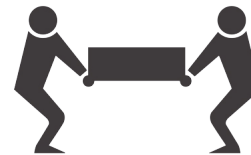
Colors available	1 color	Black
Product dimensions (flat) WxDxH	35 x 24 x 4 inches	890 x 600 x 120 mm
Lift range (top surface)	4.7-19.6 inches	11.93-49.78 mm
Height adjustment levels	42	42
Minimum desktop/table surface required (WxD)	36 x 24 inches	900 x 610 mm
Keyboard tray height range	5.75 inches	146.05 mm
Net weight	55 lbs	25 kg
Max top surface weight capacity A	66 lbs	30 kg
Max keyboard surface weight capacity B	11 lbs	5 kg
Maximum weight capacity A + B	77 lbs	35 kg



Desk Installation



TEAM LIFT



- 1** Using two people, carefully remove the Goldtouch EasyLift™ Desk from the packaging. Carefully place on a suitable size desk/table surface (check the technical data on page 2 for an appropriate size desk surface).
- 2** Make sure the EasyLift feet do not overhang desk/table surface.
- 3** Once in place, carefully remove the retaining strap.

⚠ CAUTION

Do not exceed the maximum weight capacity (77 lbs / 35 kg).

Keyboard Tray Installation

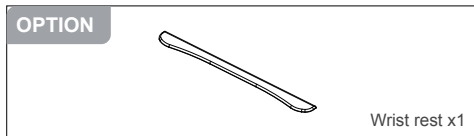


To install the keyboard tray, you will need the following items:

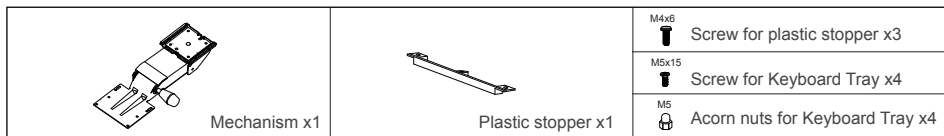
Keyboard Tray



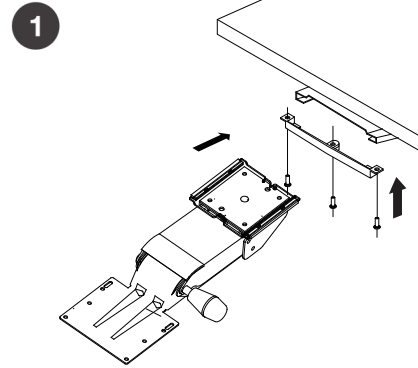
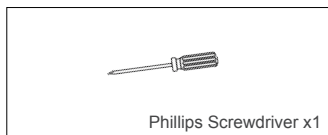
Wrist rest



Keyboard Mechanism

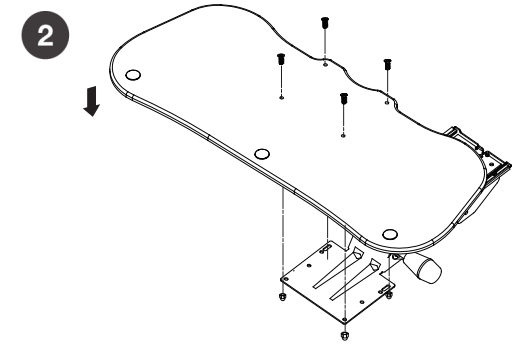


Screwdriver (not included)

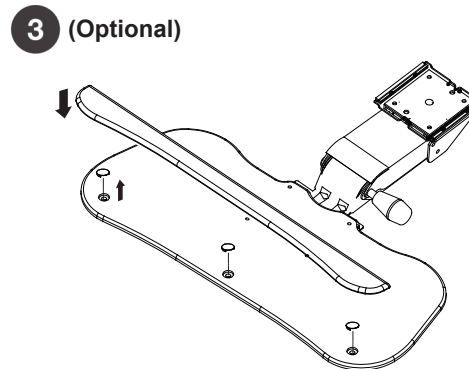


First, slide the keyboard tray **mechanism** onto the tracks on the underside of the EasyLift Desk.

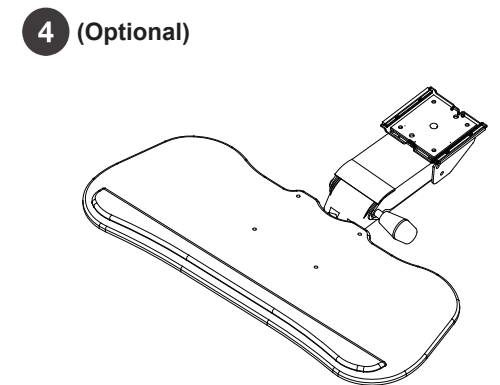
After the keyboard mechanism is on the tracks evenly, place the **plastic stopper** in front of the keyboard tracks and line it up with the indicated screw holes. Use screws **M4x6** and insert into the 1st and 3rd holes first and screw in completely, followed by the 2nd screw hole.



Second, line up the screw holes on the keyboard tray **platform** with the holes on the keyboard mechanism. Line up and insert the 4 **M5x15** screws into the indicated holes on top of the keyboard tray platform and line up and place the 4 **M5 acorn nuts** to the underside of the mechanism. Once in this position, screw in and tighten the M5x15 screws into the M5 acorn nuts.



Remove the 3 caps on the end of the keyboard tray and place in a safe location. Attach the wrist rest until you feel all 3 placements have been magnetically secured.



The keyboard tray and wrist rest are securely in place and ready for use.

***Note:** Some ergonomists advise against the use of wrist rests as it encourages wrist planting.

Operation

1 Torque Adjustment

Manually adjust the torque controller to a suitable setting depending on the weight on the EasyLift Desk. Adjust each side to the same level as indicated on the dial. Torque adjustment is easiest when desk is in its highest position.

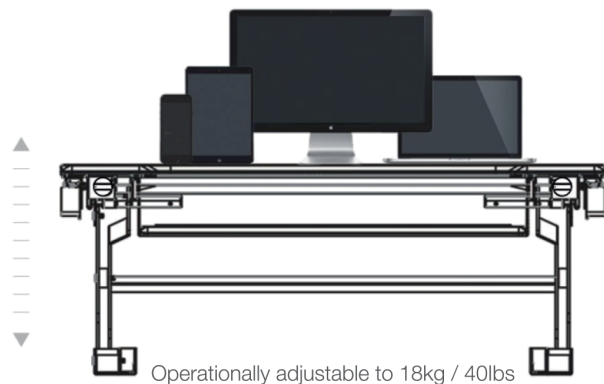
For higher total device weight - increase tension - turn clockwise ↻

For lower total device weight - decrease tension - turn counter-clockwise ↺



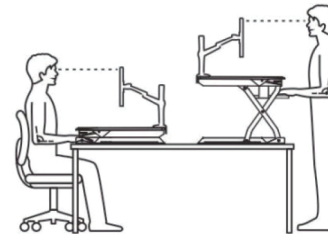
2 Devices

Carefully place your devices on top of the EasyLift workstation platform. Make sure the devices do not overhang the back of the platform surface. Do not exceed the maximum weight limit of 77 lbs / 35 kg.



3 Height Adjustment

First, we suggest finding your correct monitor height when sitting. The top of the monitor should be at eye level as indicated in the picture below. Then, grip the adjusting handles on each side of the EasyLift and the workstation top surface together and slowly lift to adjust the surface so that the top of the monitor is at eye level when standing.



4 Keyboard Tray & Wrist Rest

Pull out the keyboard tray that sits below the top surface. This tray will tilt up +10°, tilt down -15°, and lower 5.5 inches below the desktop. The knob on the right side of the keyboard tray is only for tilting purposes. Otherwise, the keyboard tray can be adjusted by tipping the keyboard tray back to raise and lower. The keyboard tray should be adjusted for each user so that the arms are bent to a 90° angle, whether in a sitting or standing position.

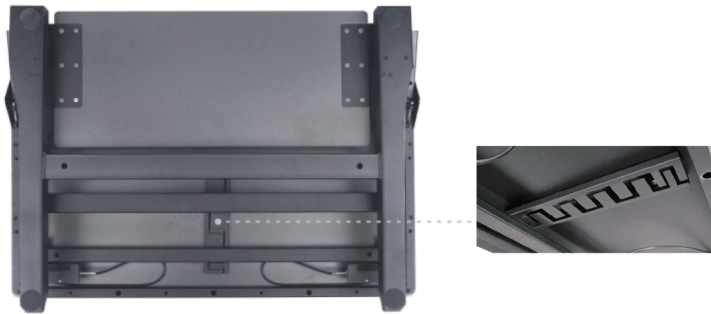
The keyboard tray has three plastic covers. If users remove the covers, the optional and removeable wrist rest will attach via magnets. It is advisable to use for times of rest in between typing, not while typing.



Accessory Installation

5 Cable Management System

When the EasyLift is raised up, the keyboard and mouse cables can be carefully inserted into the cable management system found on the underside surface. This helps avoid the cables potentially being trapped when raising and lowering the EasyLift.



***Note:** The EasyLift Desk has 3 plastic hole covers on the back end of the surface of the desk. These holes are for the EasyLift Monitor Arms. This desk can accommodate 3 monitor arms. These Monitor Arms are available in single or dual models and installation instructions can be found with purchase.

⚠ CAUTION

Do not place hands or fingers near the supporting bars when raising and lowering.

TrippLite Power Surge Strip

The Tripp Lite Clamp-Mount Surge Protector is a great accessory to the EasyLift Desk and offers economical AC surge suppression for protection of workstations desktop PC's, telecom systems and other sensitive electronics. Offers 6 total outlets & 2 USB charging ports. **Item sold separately.**



Tripp Lite Surge Protector
Part No.: TLP606DMUSB

This suppressor features a built-in clamping system for attaching the unit to desks, tables and work benches. To install, loosen the two mounting clamps, then slide the suppressor firmly onto the edge of an appropriate surface. Retighten the mounting clamps.

Connect Your Surge Suppressor to the AC Power Line: Plug the surge suppressor's power cord into a standard, 3-wire grounded 120V AC outlet.

Turn Your Surge Suppressor ON: Press the surge suppressor's power switch to "ON" or "RESET" (depending on model). Select models feature an illuminated switch.

Check Your Surge Suppressor's Diagnostic Indicator Lights: If your surge suppressor features diagnostic LEDs, check them prior to connecting your equipment. They will indicate various operating conditions when the surge suppressor is plugged into a live 120V AC outlet and the surge suppressor's power switch is on.

- **“PROTECTED” LED:** Indicates the surge suppression components are intact and providing complete protection against surges. If this LED does not illuminate, some of the surge suppression components are not functioning, and the unit should be replaced. Visit www.tripplite.com/support.
- **“GROUNDED” LED:** Indicates wall outlet is grounded and surge protection can properly function. If this light DOES NOT illuminate and power is present, consult a qualified electrician to examine your outlet's wiring.

Connect Your Equipment to the Surge Suppressor's AC Outlets: Plug your equipment's power cords (including 2-wire devices) into the surge suppressor's AC outlets. Models feature special widely-spaced outlets to accommodate transformers without covering other outlets. The surge suppressor can accommodate a total equipment load of up to 15 amps (whether plugged into a single outlet or spread out over multiple outlets). If the load on the surge suppressor exceeds 15 amps, the circuit breaker will trip and the outlets will stop providing power. If the circuit breaker trips, reduce the load by unplugging some devices.

USB Charging Ports: Two USB charging ports are capable of delivering up to 2.1A total. This will provide enough power to charge the most demanding devices, including smartphones, tablets and MP3 players.

Note: The charging ports are controlled by the master power switch on the unit.

*This information is provided courtesy of Tripp Lite. Download the full Tripp Lite Owner's Manual for the featured product at <https://www.tripplite.com/support/product/part-number/TLP606DMUSB>

Warning

- Ensure your desk/table surface is strong enough to support the EasyLift and devices.
- Maximum weight capacity (77 lbs / 35 kg).
- Adjust the EasyLift slowly.
- Make sure the EasyLift surface is securely locked into position before use.
- Avoid leaning or putting excess pressure on the keyboard tray.
- Make sure the devices do not overhang the platform surface.
- Before relocating the EasyLift, remove all devices and ensure that it is lowered to its lowest setting and securely locked into position.
- Always move the EasyLift with two people.
- Keep the EasyLift upright.
- Do not place hands and fingers on or near support bars at any time. Pinch points are created during lifting and lowering the work surface and can cause bodily injury.
- Make sure any device cables are securely contained in the cable management system to avoid trapping.
- **Failure to follow these instructions may result in serious personal injury.**

Limited warranty

The EasyLift is guaranteed free of defects in material and workmanship for a period of 3 years from date of purchase. This warranty does not cover product abuse, improper operations, and/or misuse.



1320 Arrow Point Drive | Building 1, Suite 101 Cedar Park, Texas 78613 | USA

www.goldtouch.com